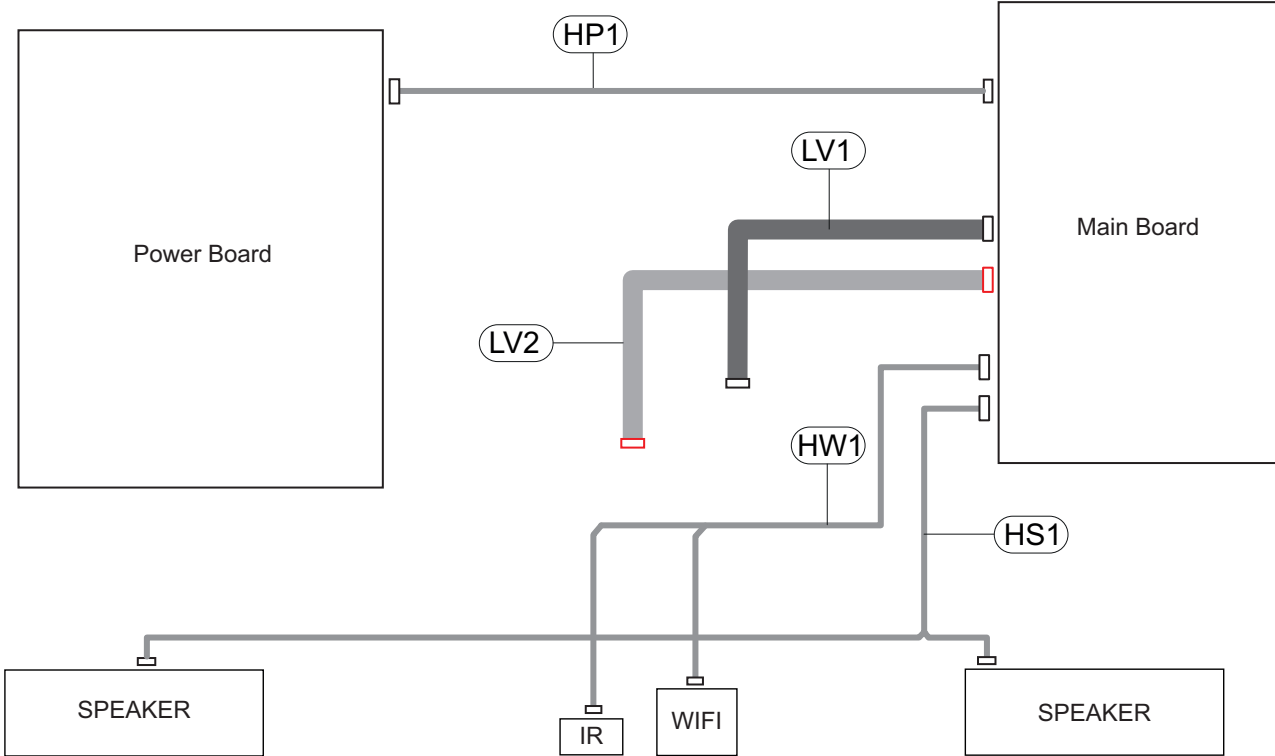




# WIRING DIAGRAM



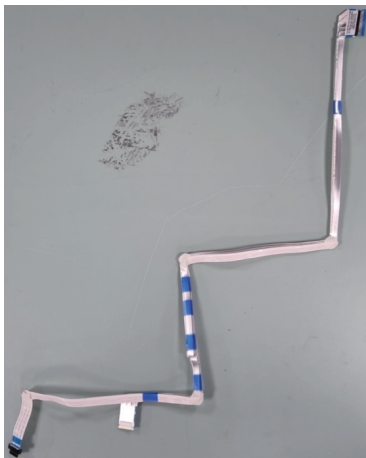
HP1



LV1 LV2



HW1



HS1

